



# **DENALI Plow Mount**

## **MA11704**

### **Polaris Ranger XP900**

Thank you for purchasing our DENALI plow mount. You now own a premium custom plow mount to allow you to use your plow with your SxS. Please note the following instructions and heed all warnings.

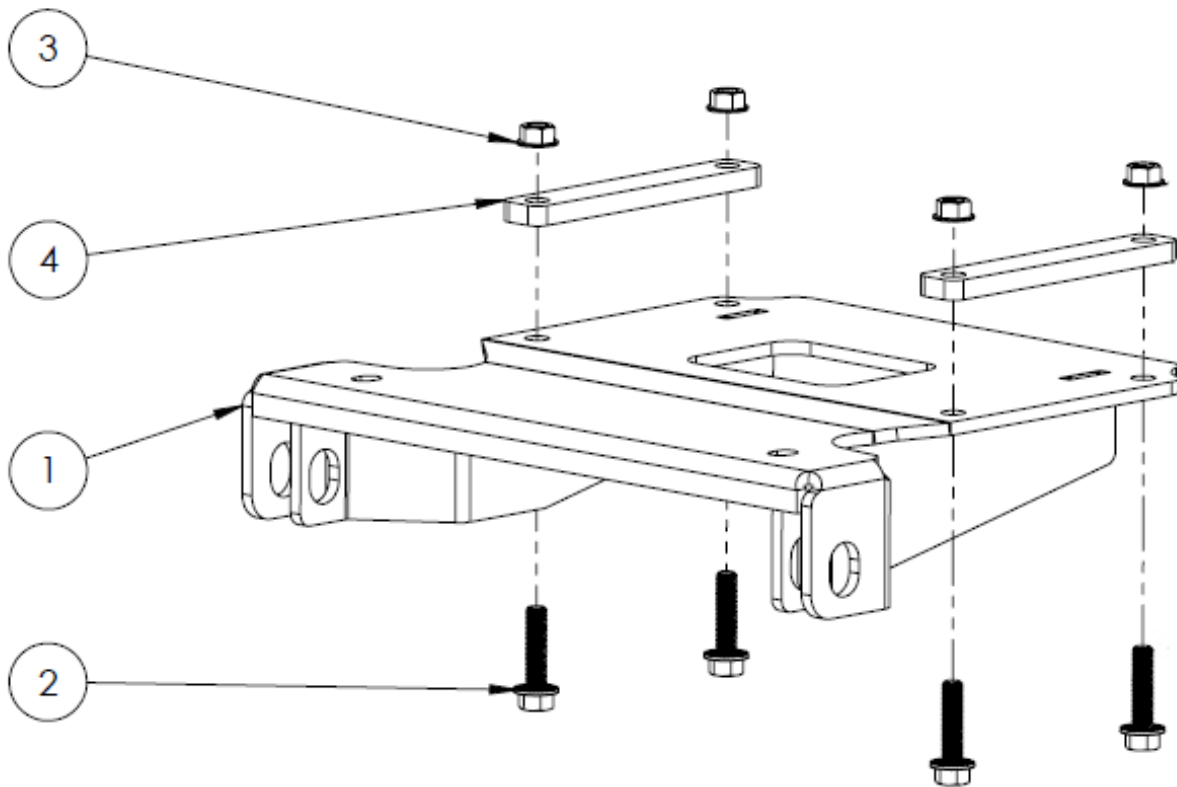
- Your UTV/SxS and/or plow system can cause death or injury, please use caution and common sense when operating your unit.
- Read your Plow Operator Manual, your Winch Operator Manual, and all warning labels before operating your UTV/SxS.
- Operate your UTV/SxS at a walking speed with the blade installed. Do not exceed 5 mph (8 km/h), even with the blade up.
- Do not operate the UTV/SxS on slopes greater than 10 degrees with the plow installed.
- Always lower the plow to the down position before leaving your UTV/SxS unattended.

**SEVERE INJURY OR DEATH MAY RESULT IF YOU ARE NEGLIGENT.**

Please verify that all hardware and parts are included in your package.

**Kit Content:**

Item Number	Quantity	Part Number
1	1	MA11704-W1 Plow Mount
2	4	3/8''-16 x 1 1/2'' Serrated Flange Bolt
3	4	3/8''-16 Serrated Flange Nut
4	2	MA11704-5 Spacer



**Figure 1**

## **Polaris Ranger XP900 Installation Instructions**

1. Remove the bottom two bolts from the front bumper (See Figure 2), set these aside for later use.



**Figure 2**

2. Hold the plow mount to the bottom of your Ranger XP900 with the tabs facing down and toward the front of the vehicle. Insert the bumper bolts from Step #1 through the bottom of the mount plate and secure them loosely to the nuts.
3. Using the four 3/8" x 1 1/2" Serrated Flange Bolts, insert the bolts from the bottom side of the mount and secure them using the 3/8" Serrated Flange Nut. Tighten all bolts. **Note: If the bumper creates a gap between the four rear holes and your mount use the provided spacers, otherwise, set the spacers aside.**
4. Attach the plow push tubes to the mount via the Quick Release Pins included in your DENALI Plow System.